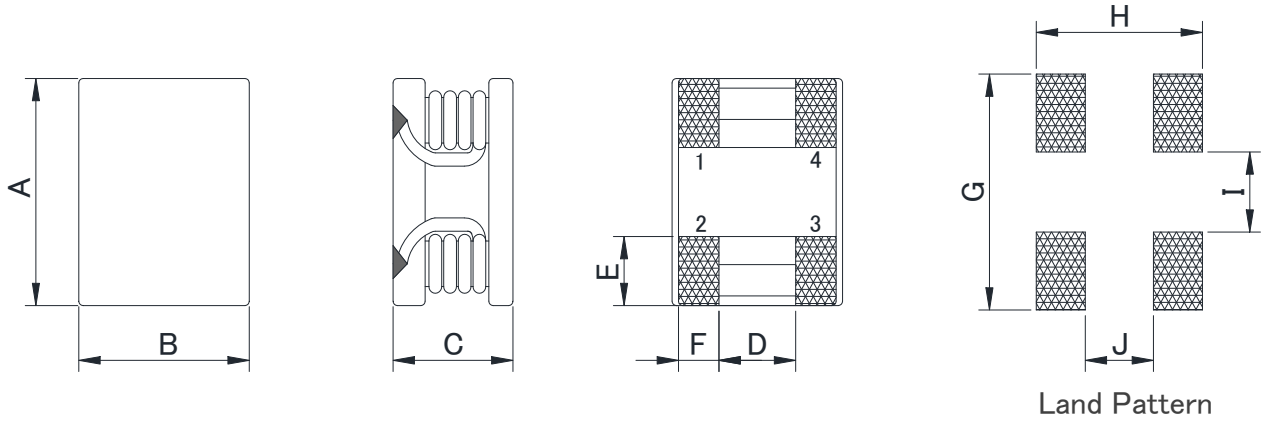


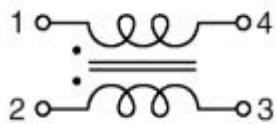
客户名称 CUSTOMER	-----	客户品名 CUSTOMER P/N	-----	版别 REV.	A
产品类型 PRODUCT TYPE	Common Mode Line Filter	爱伦品名 Aillen P/N	ALCM-100805 SERIES	文件编号 FILE NO.	SP-18120602

## 一.尺寸图/DIMENSION (单位/UNIT : mm)



ITEM	A	B	C	D	E	F	G	H	I	J
DIM	10.0	8.0	5.0	3.2	2.8	1.8	11	90	3.4	2.2
TOLE	±0.5	±0.5	±0.5	Typ	Typ	Typ	Typ	Typ	Typ	Typ

## 二.电路图/CIRCUIT DIAGRAM



## 三.注意事项/NOTE :

1.印字内容：依照客户实际需求



## 四.电气特性/ELECTRICAL CHARACTERISTIC

Part Number	Common mode Impedance Z (Ω) 100MHz/0.5V		DCR (mΩ) Max.	IDC (A) Max.	Wire P180 G1	MARK
ALCM-100805-551-3T	500 Min	550 Typ	10	5.0	φ 0.55	
ALCM-100805-601-4T	600 Min	700 Typ	30	4.5	φ 0.5	
ALCM-100805-701-4T	600 Min	700 Typ	30	4.5	φ 0.5	
ALCM-100805-102-5T	800 Min	1000 Typ	45	4.0	φ 0.4	

(1).IDC1 : Temp.rise 40°C Typ

(2).Operating temp.: -40°C to +125°C

(3).Storage temp.: -40°C to +125°C

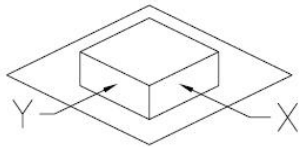
## 五.材料清单/MATERIAL LIST

NO.	ITEM	DESCRIPTION
1	CORE	FERRITE
2	WIRE	P180 G1
3	TIN	107H
4	INK	BLACK/WHITE

客户名称 CUSTOMER	-----	客户品名 CUSTOMER P/N	-----	版别 REV.	A
产品类型 PRODUCT TYPE	Common Mode Line Filter	爱伦品名 Aillen P/N	<b>ALCM-100805 SERIES</b>	文件编号 FILE NO.	SP-18120602

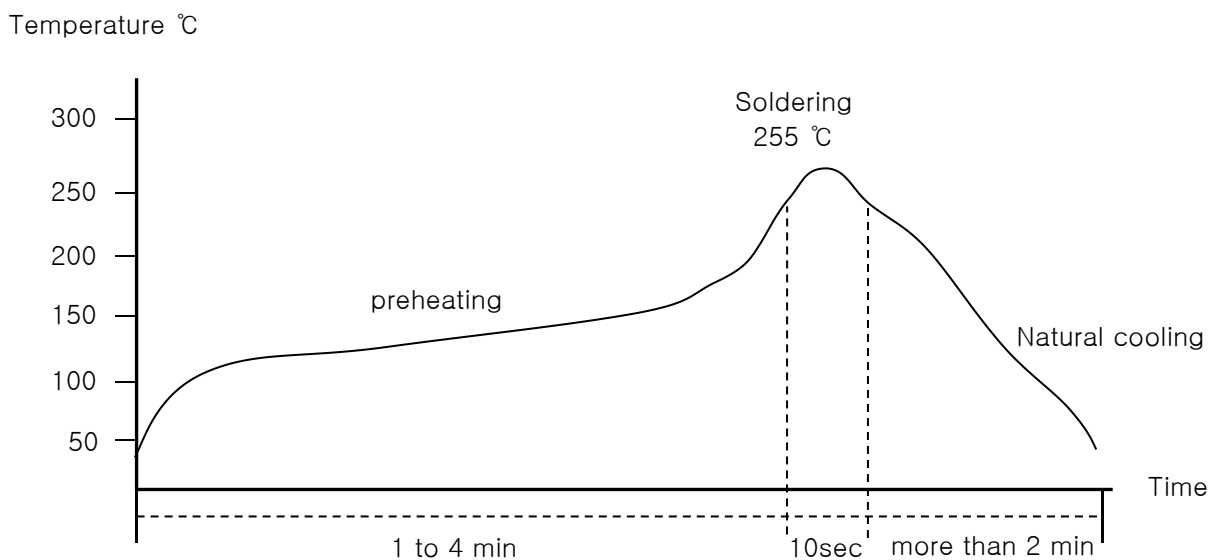
## 六.可靠性测试/RELIABILITY TESTING

Operating Temperature	- 40 to +125 °C ( Contain Heating coil )
Appearance Inspection	No external defects by visual inspection
Terminal Strength	After soldering , between copper plaet and terminals of coils , push in two directions of X , Y with standing 10N(1.02kg) for10+/-2 sec. Terminal should not peel off. ( Refer to figure at right )
Heat endurance of reflow soldering	Refer to figure
Insulating resistance	Over 100 MΩ at 100V D.C . between wire and core
Dielectric Strength	Apply at 0.5KV 3mA for 1 minute between wire and core
Temperature characteristics	Inductance coefficient ( 0~2,000 ) × 10 / °C ( - 40~ + 125 °C )
Humidity characteristics	Inductance deviation within ± 10% , after 96 hours in 90~95% relative humidity at 40 ± 2 °C and 1 hours drying under normal condition



A test is made under the above mentioned condition , and it is kept for 2 hours in the normal

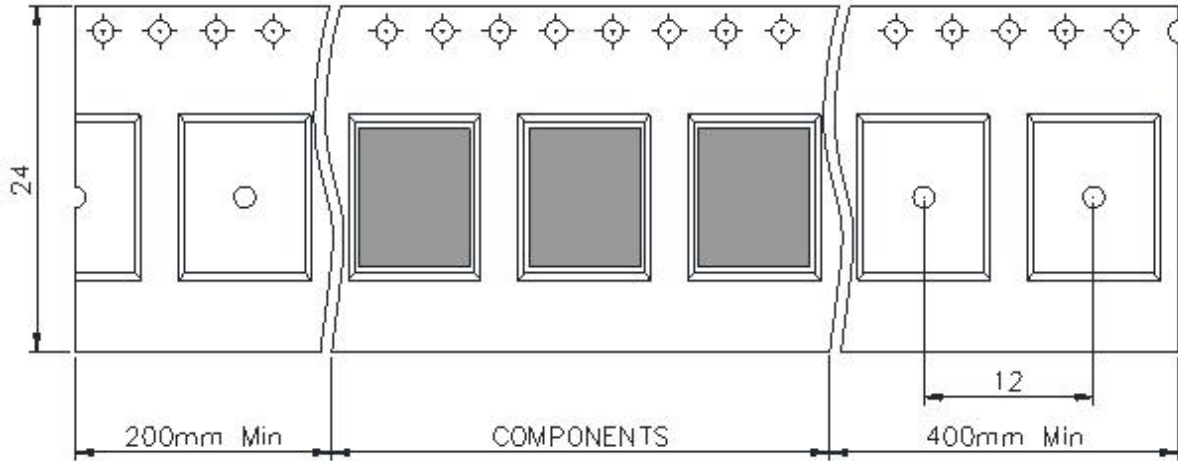
### IR Reflow profile



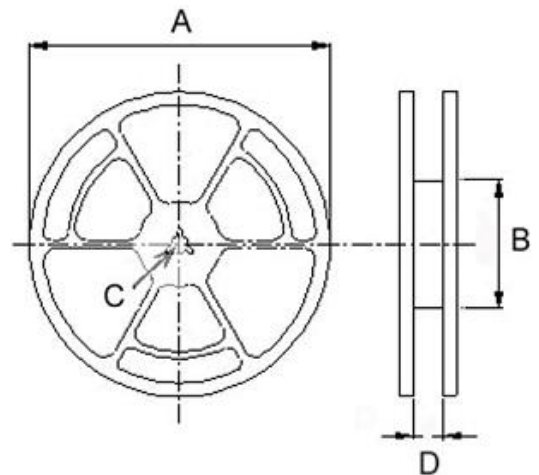
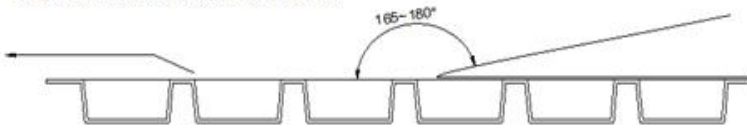
Temperature and humidity . After that , no mechanical and electrical defect should be found .

客户名称 CUSTOMER	-----	客户品名 CUSTOMER P/N	-----	版别 REV.	A
产品类型 PRODUCT TYPE	Common Mode Line Filter	爱伦品名 Aillen P/N	<b>ALCM-100805 SERIES</b>	文件编号 FILE NO.	SP-18120602

## 七. 编带规格/TAPING SPECIFICATIONS

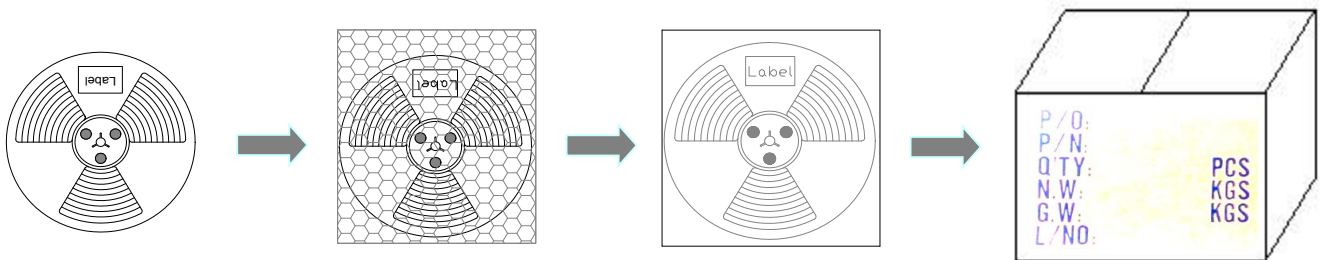


Adhesive strength of cover tape is 20 to 120 gf  
The conduction band direction



Reel Dimensions (Unit: mm)				Quantity
A	B	C	D	Pcs/Reel
330	100	13	24.5	900

## 八. 包装方式/PACKING LIST



轮盘：13'(直径330mm)  
数量：900PCS/盘

PE袋  
数量：900PCS/袋

内盒  
数量：1800PCS/盒

外箱，数量：9000PCS/箱  
不足整箱用内盒或填充物  
装满