

ALDRI Series



FEATURES

- ◆ Low profile very effective in space-applications.
- ◆ High energy storage and very low resistance.
- ◆ Packed in embossed carrier tape and can be used by automatic mounting machine.

APPLICATIONS

- ◆ Ideally used in Power supply for VTR, OA equipment, Digital camera, LCD television set notebook PC, etc as DC-DC Converter.

PRODUCT IDENTIFICATION

ALDRI 3316 100 M
 a b c d

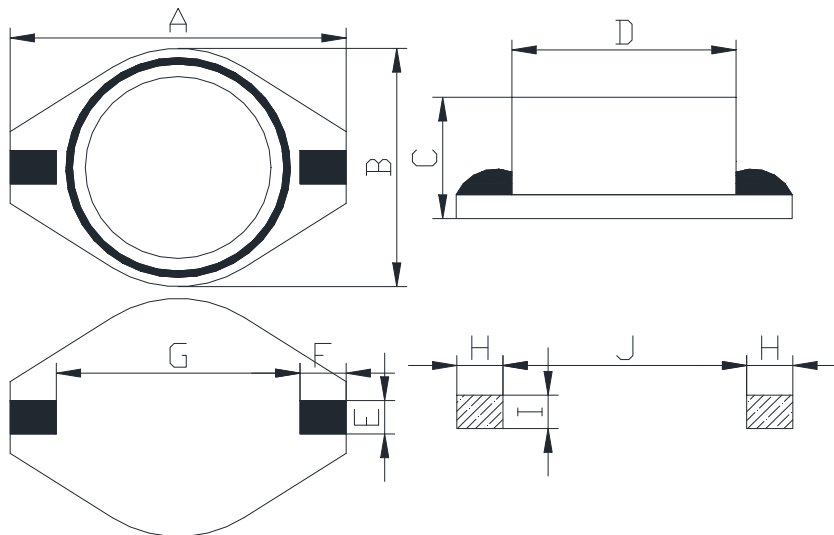
a: Series name

b: Product dimensions (a x c)

c: Inductance Value(1R0:1.0uH; 100: 10uH; 101:100uH)

d: Inductance Tolerance (K:10% ; M:20% ; N:30%)

SHAPES AND DIMENSIONS



Series	Dimensions(mm)									
	A Max.	B Max.	C Max.	D Max.	E Ref.	F Ref.	G Ref.	H Ref.	I Ref.	J Ref.
ALDRI-1305	12.95	9.40	5.21	8.38	2.54	2.54	7.62	2.90	3.00	7.30
ALDRI-1807	18.54	15.24	7.11	12.7	2.54	2.54	12.7	2.90	3.00	12.4

ALDRI-1305/1807 Series

ELECTRICAL CHARACTERISTICS

Part Number	L (uH)	Test Freq. (KHz/V)	DCR Max. (Ω)	Saturation Current(A)	Heat Rating Current (A)
ALDRI-1305-1R0M	1.0	100/0.25	0.021	5.60	5.00
ALDRI-1305-1R5M	1.5	100/0.25	0.022	5.20	4.50
ALDRI-1305-2R2M	2.2	100/0.25	0.032	5.00	3.80
ALDRI-1305-3R3M	3.3	100/0.25	0.039	3.90	3.30
ALDRI-1305-4R7M	4.7	100/0.25	0.054	3.20	2.70
ALDRI-1305-6R8M	6.8	100/0.25	0.075	2.80	2.20
ALDRI-1305-100M	10	100/0.25	0.101	2.40	2.00
ALDRI-1305-150M	15	100/0.25	0.150	2.00	1.50
ALDRI-1305-220M	22	100/0.25	0.207	1.60	1.30
ALDRI-1305-330M	33	100/0.25	0.334	1.40	1.10
ALDRI-1305-470M	47	100/0.25	0.472	1.00	0.80
ALDRI-1305-680M	68	100/0.25	0.660	0.90	0.70
ALDRI-1305-101M	100	100/0.25	1.110	0.80	0.60
ALDRI-1305-151M	150	100/0.25	1.550	0.60	0.50
ALDRI-1305-221M	220	100/0.25	2.000	0.50	0.40

Part Number	L (uH)	Test Freq. (KHz/V)	DCR Max. (Ω)	Saturation Current(A)	Heat Rating Current (A)
ALDRI-1807-100M	10	100/0.25	0.040	8.00	3.90
ALDRI-1807-150M	15	100/0.25	0.048	7.00	3.40
ALDRI-1807-220M	22	100/0.25	0.059	6.00	3.10
ALDRI-1807-330M	33	100/0.25	0.075	5.00	2.80
ALDRI-1807-470M	47	100/0.25	0.097	4.00	2.40
ALDRI-1807-680M	68	100/0.25	0.138	3.00	2.00
ALDRI-1807-101M	100	100/0.25	0.207	2.40	1.70
ALDRI-1807-151M	150	100/0.25	0.293	2.10	1.30
ALDRI-1807-221M	220	100/0.25	0.470	1.90	1.10
ALDRI-1807-331M	330	100/0.25	0.780	1.10	0.86
ALDRI-1807-471M	470	100/0.25	1.080	1.10	0.73
ALDRI-1807-681M	680	100/0.25	1.400	0.96	0.64
ALDRI-1807-102M	1000	100/0.25	2.010	0.80	0.53

Note:

- 1.Tolerance: N:±30% , M:±20% , K:±10%
- 2.Saturation Current(Isat): DC current at which the inductance drops approximate 10% from its value without current;
3. Heat Rating Current(Irms): DC current that causes the temperature rise ($\Delta T = 40^{\circ}\text{C}$) from 25°C ambient;
- 4.Rated current: Isat or Irms, whichever is smaller;