

# FUSIBLE RESISTORS, FLAMEPROOF

## 1. Applicable Scope:

This standard specification is for use in consumer electronics, computers, telecommunications, control instruments...etc.

## 2. Part Number:

It is composed by Type, Rated Wattage, Nominal Resistance, Tolerance and Package/Terminal Form . e.g.

### 2.1 Type :

$\frac{\text{FRNF}}{\text{Type}} \quad \frac{1 \text{ W}}{\text{Rated Wattage}} \quad \frac{10\text{R}}{\text{Nominal Resistance}} \quad \frac{\text{J}}{\text{Tolerance}} \quad \frac{\text{T/B}}{\text{Package/Terminal Form}}$

### 2.1 Type :

Fusible resistors, Flameproof are called "FRNF" or "FRLF".

### 2.2 Rated Wattage:

Shown by "W", such as 1/4W, 1/2W, 3/4W, 1W, 2W, 3W.

### 2.3 Nominal Resistance :

$\Omega$  ,  $\text{K}\Omega$  are its unit which be in accordance with JIS-C6409 article 6 (EIA RS-196A) series.

Letter "10R" indicates resistance value  $10\Omega$  .

### 2.4 Tolerance:

It is measured by Bridge-method at room temperature and expressed by a capital letter.

F= $\pm 1\%$ ; G= $\pm 2\%$ ; J= $\pm 5\%$ ; K= $\pm 10\%$ .

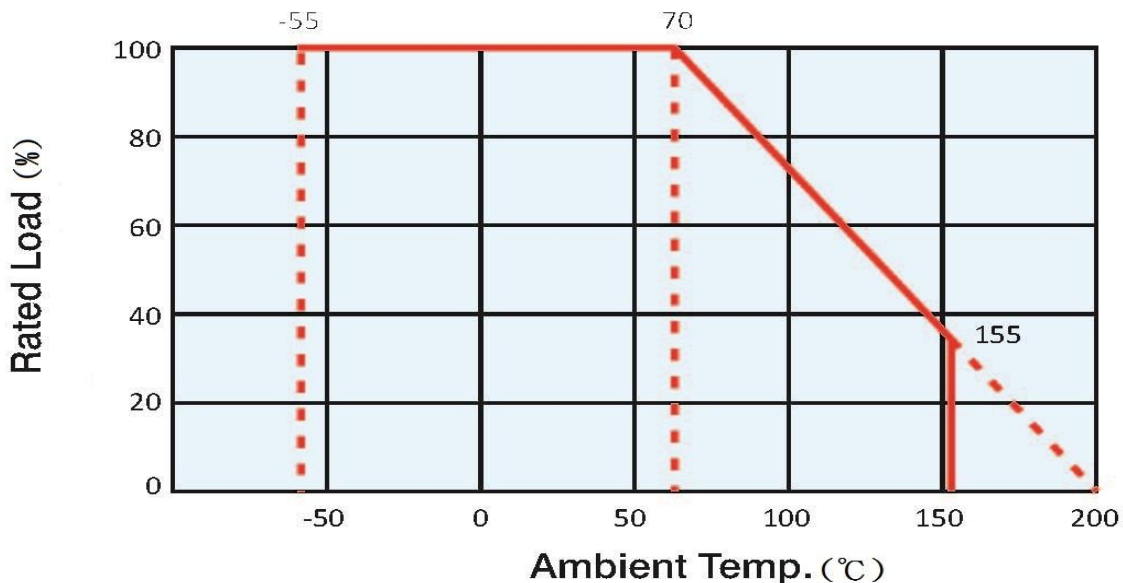
### 2.5 Package/Terminal Form:

T/B = tape in box; T/R= tape & reel; Nil = Bulk; MG form, F forms.

※ Remark : FRLF&FRNF Series Resistors are RoHS Compliant.

## 3. Rated Power:

Rated power is the value of Max load wattage specified at the ambient temperature of  $70^\circ\text{C}$  , and shall meet the functions of electrical and mechanical performance. When the ambient temperature surpasses above mentioned temperature, the value declines as per following DERATING CURVE.



# FUSIBLE RESISTORS, FLAMEPROOF

## 3.1 Rated Voltage:

It is calculated through the following formula:

where E: rated voltage (V)      P: rated power (W)      R: nominal resistance value ( $\Omega$ )

$$E = \sqrt{P * R}$$

However, in case the voltage calculated exceeds the maximum load voltage, such the maximum load voltage shall be regarded as its rated voltage, means whichever less.

## 4. Dimension and structure:

### 4.1 Dimension:



Unit: mm

TYPE		Dimension (mm)				Resistance Range		Max Working Voltage	Dielectric Withstanding Voltage
FRLF	FRNF	L±1	D±1	H±3	d±0.1	FRLF	FRNF		
1/4W	1/2W	6.8	2.6±0.5	28	0.6	0.22Ω~10KΩ	0.22Ω~100KΩ	250V	250V
	3/4W	9	3	28	0.65			300V	300V
1/2W	1W	9	3.5	28	0.65			300V	350V
1W	2W	11	4.5	28	0.8			350V	350V
2W	3W	15	5	28	0.8			500V	350V

Notes : 1. Max Overload Voltage is 2 times of Max Working Voltage.

2. UL approval : FRNF 1/2W series

### 4.2 Structure:

#### 4.2.1 Terminal:

Terminal is to be firmly connected with resistors element, both electrically and mechanically, and allow easy soldering.

#### 4.2.2 Coating:

Coating is done by light gray flameproof paint for FRL type and dark gray flameproof paint for FRN (resistant to 800°C) which is solid enough to be free from looseness, crack and easy breakage. It is also resistant to cleaning and industrial solvents, and the paint shall be limited within 2mm of lead wires from resistor body.

#### 4.2.3 Marking:

Marking is made on resistors surface by five colors coding.

1st, 2nd, 3rd: nominal resistance.

4th: tolerance.

5th: black for fusible resistors.

## FUSIBLE RESISTORS, FLAMEPROOF

### 5. Fusing Characteristics:

Resistance Range	Fusing Power	
	FRLF	FRNF
0. 22Ω ~ 1Ω	Rated Power X 32	Rated Power X16
1. 1Ω ~ 2Ω	Rated Power X 25	
2. 1Ω ~ 10Ω	Rated Power X 16	
10. 1Ω ~ 10KΩ	Rated Power X 12	
10. 1KΩ ~ 100KΩ		
Note: ■ Fusing time can also be consulted between buyers and the manufacturer before producing. ■ Fusing time is within 60 sec. ■ The resistance value will be as high as 100 times the original value after fusing.		

### 6. Operating Temperature Range: -55°C ~ 155°C

### 7. Mechanical Performance

#### 7.1 Terminal tensile:

To fix the resistor body, a static load of 2.5kgs.(FRLF 1/4W&FRNF1/2W : 1kg) is to be gradually applied into the terminal for 10 seconds without causing any looseness and fall.

#### 7.2 Twist withstand:

To bend the lead wire at the point of about 6mm from resistor body to 90°, then catch the wire at 1.2 ±0.4mm apart from the bent point end and turn it (clockwise) by 360 degrees perpendicular to the resistor axis at speed of 5 seconds per turn, and do the same counterclockwise again which constitute a whole turn. Repeat the turn 2 times without causing any break and looseness.

### 8. Electrical Performance:

#### 8.1 Resistance Temperature Coefficient:

It shall be within ±200ppm/°C.

$$T.C \text{ (ppm/°C)} = \left[ \frac{R2 - R1}{R1} \right] \times \left[ \frac{1}{T2 - T1} \right] \times 10^6$$

where

- R1: resistance value at reference temperature
- R2: resistance value at test temp.
- T1: reference temp. (usu. 25°C)
- T2: test temp. (about 75°C)

## FUSIBLE RESISTORS, FLAMEPROOF

### 8.2 Temperature Cycle:

Following temp. cycles are to be made 5 times and then put at room temp. for one hour, the resistance value change rate between pre-and-post test shall be within  $\pm 1\%$ .

Steps	Temperature(°C)	Time (minutes)
1 <sup>st</sup> step	-55 $\pm$ 3	30
2 <sup>nd</sup> step	Room temp.	3
3 <sup>rd</sup> step	155 $\pm$ 3	30
4 <sup>th</sup> step	Room temp.	3

### 8.3 Short Time Over Load:

When the resistors are applied 4 times as much as rated wattage for 5 seconds continuously, it shows no evidence of arc, flame...etc. Removing the voltage and place the resistors to the normal condition for 30 minutes, the resistance value change rate between pre-and-post test shall be within  $\pm 2\%$ .

### 8.4 Insulation Character :

Resistors are located in a V-shaped metal trough. Using the DC 100V megger instrument 2 poles to clutch either side of lead wires and metal trough, measuring the Insulation Resistance which shall be over 1000M $\Omega$  .

### 8.5 Voltage Withstanding:

Resistors are located in a V-shaped metal trough. Applying suitable voltage listed on DIMENSION for one minute and should find no physical damage to the resistors, such as arc, char...etc.

### 8.6 Load Life:

The resistors arrayed are sent into the 70°C oven, applying rated voltage at the cycle of 1.5 hours ON, 0.5 hour OFF for 1000<sub>0</sub><sup>+48</sup> hours in total. Then, after removing the voltage, take the resistors out of the oven and left under normal temp. for one hour cooling. The resistance value change rate between pre-and-post test shall be within  $\pm 5\%$ .

### 8.7 Moisture-proof Load Life:

The resistors arrayed are placed into a constant temp./humidity oven at the temp. of 40  $\pm 2^\circ\text{C}$  and the humidity of 90~95%, then rated power is applied for 1.5 hours and cut off for 0.5 hour. The similar cycle will be repeated for 1000<sub>0</sub><sup>+48</sup> hours in total (including cut-off time). Then remove the voltage, taking the resistors out of the oven and leaving them at room temp. for one hour. The resistance value change rate between pre-and-post test shall be within  $\pm 5\%$ . There also shall be no evidence of remarkable change on appearance, and the marking shall not be illegible.

### 8.8 Solder-ability:

The leads with flux are dipped in a melted solder of 235  $\pm 5^\circ\text{C}$  for 2 seconds, more than 95% of the circumference of the lead wires shall be covered with solder.

### 8.9 Resistance to Soldering Heat:

Two leads are together dipped in a melted solder of 270  $\pm 5^\circ\text{C}$  for 10  $\pm 1$  seconds, or 350  $\pm 10^\circ\text{C}$  for 3.5  $\pm 0.5$  seconds, Then remove the resistors and leaving them at room temp. for one hour. The resistance value change rate between pre-and-post test shall be within  $\pm 1\%$ .

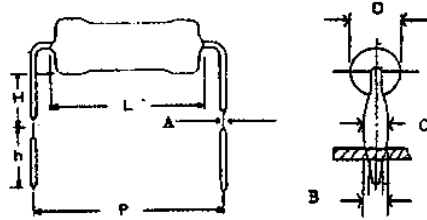
### 8.10 Nonflammability:

The resistors are applied the power of 16 times the rated wattage for 5 min. and shall not get flame.

# FUSIBLE RESISTORS, FLAMEPROOF

9. Others:

9.1 MG Form:



Unit: mm

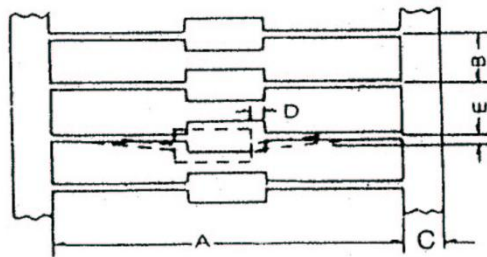
FRLF	FRNF	$L \pm 1$	$D \pm 1$	P	H	$h \pm 1$	$A \pm 0.02$	$B \pm 0.05$	$C \pm 0.2$
1/2W	1W	9	3.5	$15 \pm 1.5$	$7 \pm 1$	4.5	0.23	0.8	1.2
1W	2W	11	4.5	$15 \pm 1.5$	$7 \pm 1$	4.5	0.25	1	1.4
2W	3W	15	5	$20 \pm 2$	$10 \pm 2$	4.5	0.25	1	1.4

9.2 F Form:

Unit: mm

FRLF	FRNF	$L \pm 1$	$D \pm 1$	$A+1/ -0.5$	Applicable
1/2W	1W	9	3.5	3.5	F1~F4
1W	2W	11	4.5	3.5	F1~F4
2W	3W	15	5	3.5	F1~F4

9.3 Taping Specifications:

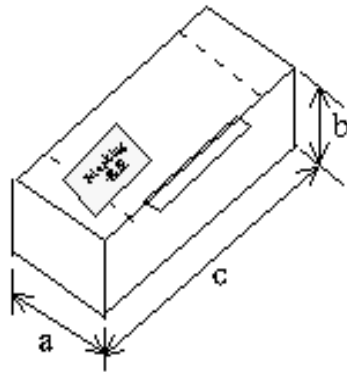


Unit: mm

FRLF	FRNF	Type size	A	B	$C \pm 1$	D Max	E Max
$\leq 1/2W$	$\leq 1W$	T-52	$52 \pm 1$	$5 \pm 0.5$	6	0.6	1.2
1W	2W	T-63	$63 \pm 1$	$5 \pm 0.5$	6	0.6	1.2
2W	3W	T-63	$63 \pm 1$	$10 \pm 1$	6	0.6	1.2
		T-76	$76 \pm 1.5$	$10 \pm 1$	6	0.6	1.2

# FUSIBLE RESISTORS, FLAMEPROOF

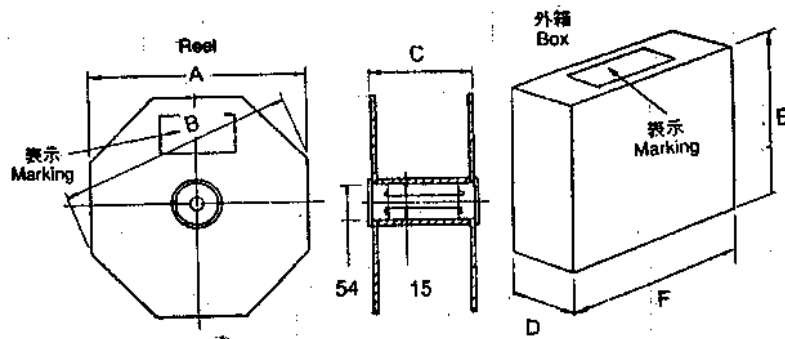
## 9.4 Tape in Box:



Unit: mm

FRLF	FRNF	Type	QTY PER BOX (pcs)	a	b	c
1/4W	1/2W	T-52	5000	75	100	255
	3/4W	T-52	1000	75	55	255
1/2W	1W	T-52	1000	75	55	255
1W	2W	T-63	1000	85	105	260
2W	3W	T-63	1000	100	110	265

## 9.5 Tape & Reel:



Unit: mm

FRLF	FRNF	Type	QTY PER BOX (pcs)	A	B	C	D	E	F
1/4W	1/2W	T-52	5000	285	310	75	80	295	295
	3/4W	T-52	5000	305	330	75	90	310	310
1/2W	1W	T-52	2500	285	310	75	80	295	295
1W	2W	T-63	2500	285	310	75	80	295	295
2W	3W	T-63	1000	285	310	75	80	295	295
		T-76	1000	285	310	90	105	295	295