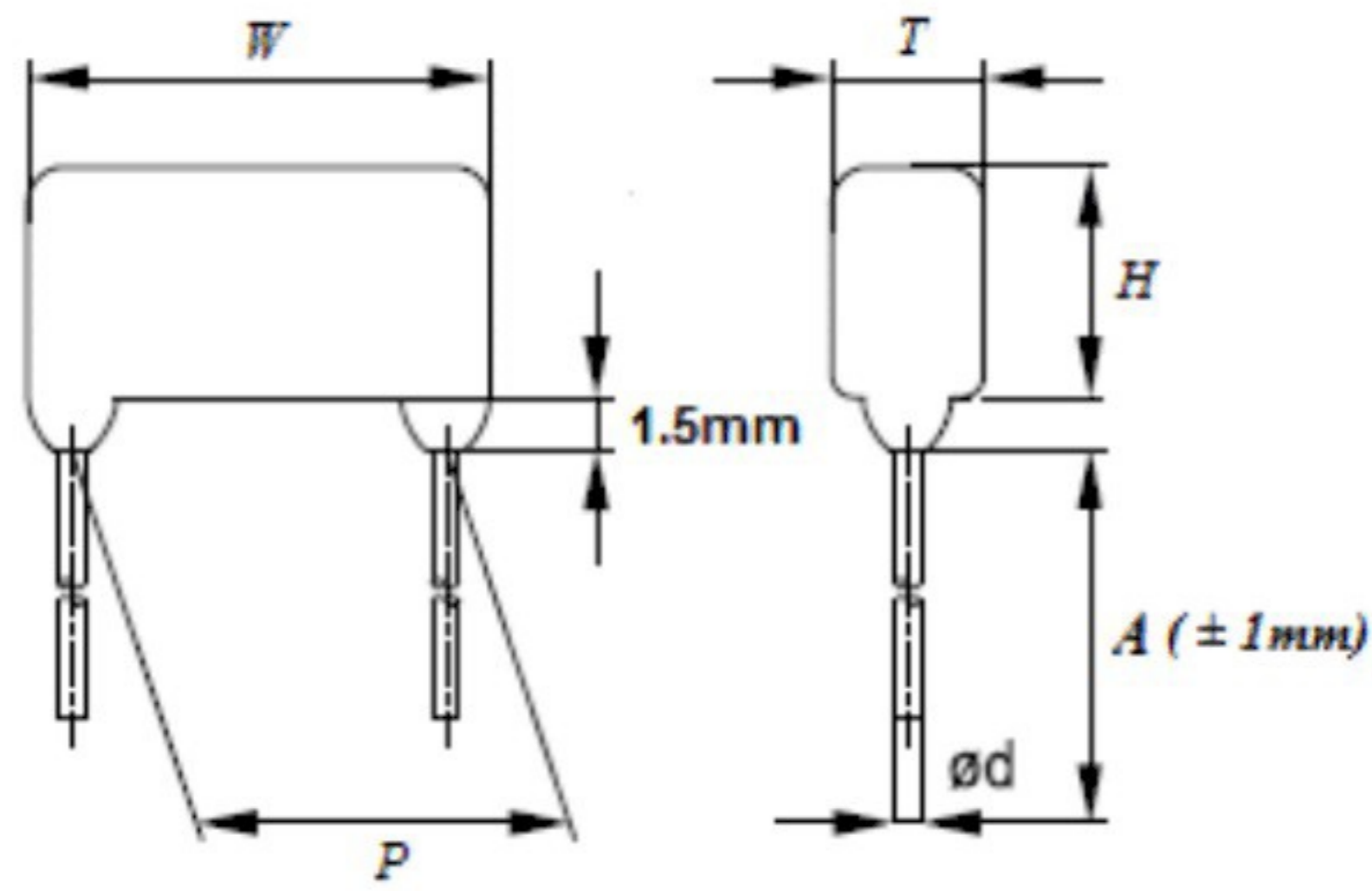


外觀圖 Outling Drawing



主要用途

開關電源，電子整流器和變頻器等中間電路
直流濾波 (DC-Link, PFC等)

Typical Applications

As intermediate circuit capacitors for SMPS, Electronic Ballast, Inverter (i.e. DC-Link, DC-Filter and P.F.C)

特點

金屬化聚酯薄膜，無感卷繞結構
體積小，自愈性好
阻燃性環氧樹脂包封

Features

Metalized polyester film, non-inductive wound construction
Small size, and Excellent self-healing property
Flame retardant epoxy resin coating (UL94V-0)

A: The SMTE series is only recommended to use in DC-Filter or DC-blocking circuits. It means the voltage applied to the capacitors must be unidirectional ripple voltage. The typical voltage curve is as following reference.

規格書 SPECIFICATION

| | | |
|------------------------------------|--|---|
| 引用標準 Reference Standard | GB/T 7332 (IEC 60384-2) | |
| 氣候類別 Climatic Category | 55/105/21 | |
| 工作溫度範圍 Operating Temperature Range | - 40°C~+120°C (+85°C to +120°C: decreasing factor 1.25% per°C for UR) | |
| 電容量範圍 Capacitance Range | 0.01uF ~ 10uF | |
| 額定電壓 Rated Voltage | 250VDC, 400/450V, 630V | |
| 電容偏差 Capacitance Tolerance | ± 5%(J)、 ± 10%(K) | |
| 承受電壓 Voltage Proof | 1.5UR (5s) | |
| 損耗角 Dissipation Factor | ≤1.0% (20°C, 1kHz) | |
| 絕緣電阻 Insulation Resistance. | UR≤100V | CR ≤ 0.33uF IR ≥ 30,000MΩ CR > 0.33uF IR ≥ 10,000S |

外型尺寸表 Dimension(mm)

| 250Vdc | | | | | |
|----------|------|------|------|------|-----|
| 容量 μF | W | H | T | P | d |
| 0.22 | 10 | 9.9 | 4.9 | 7.5 | 0.6 |
| 0.33 | 10 | 10.4 | 5.7 | 7.5 | 0.6 |
| 0.47 | 10 | 11.8 | 6.3 | 7.5 | 0.6 |
| 0.68 | 10 | 13.9 | 6.9 | 7.5 | 0.6 |
| 1.0 | 10 | 15.3 | 8.4 | 7.5 | 0.6 |
| 0.33 | 12.5 | 9.0 | 5.2 | 10 | 0.6 |
| 0.47 | 12.5 | 10.8 | 5.4 | 10 | 0.6 |
| 0.68 | 12.5 | 11.7 | 6.3 | 10 | 0.6 |
| 1.0 | 12.5 | 14.4 | 7.4 | 10 | 0.6 |
| 1.5 | 12.5 | 16.9 | 8.4 | 10 | 0.6 |
| 2.2 | 12.5 | 19.7 | 9.5 | 10 | 0.6 |
| 0.47 | 17.8 | 9.3 | 4.7 | 15 | 0.8 |
| 0.68 | 17.8 | 10.0 | 5.4 | 15 | 0.8 |
| 1.0 | 17.8 | 12.0 | 6.5 | 15 | 0.8 |
| 1.5 | 17.8 | 14.2 | 7.2 | 15 | 0.8 |
| 2.2 | 17.8 | 16.6 | 8.0 | 15 | 0.8 |
| 3.3 | 17.8 | 19.3 | 9.2 | 15 | 0.8 |
| 4.7 | 17.8 | 21.2 | 11.0 | 15 | 0.8 |
| 1.0 | 25.5 | 10.9 | 5.5 | 22.5 | 0.8 |
| 1.5 | 25.5 | 12.9 | 5.9 | 22.5 | 0.8 |
| 2.2 | 25.5 | 13.9 | 6.9 | 22.5 | 0.8 |
| 3.3 | 25.5 | 16.4 | 7.8 | 22.5 | 0.8 |
| 4.7 | 25.5 | 18.8 | 8.7 | 22.5 | 0.8 |
| 6.8 | 25.5 | 20.6 | 10.5 | 22.5 | 0.8 |
| 10 | 25.5 | 23.0 | 12.9 | 22.5 | 0.8 |

| 400/450Vdc | | | | | |
|------------|------|------|------|------|-----|
| 容量 μF | W | H | T | P | d |
| 0.047 | 10 | 7.1 | 4.0 | 7.5 | 0.6 |
| 0.068 | 10 | 8.0 | 4.4 | 7.5 | 0.6 |
| 0.10 | 10 | 9.7 | 5.1 | 7.5 | 0.6 |
| 0.15 | 10 | 10.6 | 6.0 | 7.5 | 0.6 |
| 0.10 | 12.5 | 9.1 | 4.4 | 10 | 0.6 |
| 0.15 | 12.5 | 9.7 | 5.1 | 10 | 0.6 |
| 0.22 | 12.5 | 11.1 | 5.7 | 10 | 0.6 |
| 0.33 | 12.5 | 13.2 | 6.2 | 10 | 0.6 |
| 0.47 | 12.5 | 15.4 | 6.8 | 10 | 0.6 |
| 0.68 | 12.5 | 16.8 | 8.2 | 10 | 0.8 |
| 1.0 | 12.5 | 19.6 | 9.4 | 10 | 0.8 |
| 0.22 | 17.8 | 10.3 | 4.9 | 15 | 0.8 |
| 0.33 | 17.8 | 11.1 | 5.7 | 15 | 0.8 |
| 0.47 | 17.8 | 13.1 | 6.1 | 15 | 0.8 |
| 0.68 | 17.8 | 15.3 | 6.8 | 15 | 0.8 |
| 1.0 | 17.8 | 17.2 | 8.7 | 15 | 0.8 |
| 1.5 | 17.8 | 20.1 | 10.0 | 15 | 0.8 |
| 2.2 | 17.8 | 22.3 | 12.2 | 15 | 0.8 |
| 0.47 | 25.5 | 11.3 | 5.9 | 22.5 | 0.8 |
| 0.68 | 25.5 | 13.3 | 6.3 | 22.5 | 0.8 |
| 1.0 | 25.5 | 14.4 | 7.4 | 22.5 | 0.8 |
| 1.5 | 25.5 | 16.9 | 8.3 | 22.5 | 0.8 |
| 2.2 | 25.5 | 19.6 | 9.5 | 22.5 | 0.8 |
| 3.3 | 25.5 | 21.8 | 11.7 | 22.5 | 0.8 |

外型尺寸表 Dimension(mm)

| 520Vdc | | | | | |
|----------|------|------|------|------|-----|
| 容量 μF | W | H | T | P | d |
| 0.022 | 9.8 | 7.5 | 4.0 | 7.5 | 0.6 |
| 0.033 | 9.8 | 8.5 | 4.4 | 7.5 | 0.6 |
| 0.047 | 9.8 | 9.6 | 4.7 | 7.5 | 0.6 |
| 0.068 | 9.8 | 10.4 | 5.4 | 7.5 | 0.6 |
| 0.068 | 12.5 | 9.6 | 4.7 | 10 | 0.6 |
| 0.10 | 12.5 | 10.9 | 5.5 | 10 | 0.6 |
| 0.15 | 12.5 | 11.9 | 6.5 | 10 | 0.6 |
| 0.22 | 12.5 | 14.1 | 7.1 | 10 | 0.6 |
| 0.33 | 12.5 | 15.6 | 8.6 | 10 | 0.6 |
| 0.10 | 17.8 | 9.4 | 4.7 | 15 | 0.8 |
| 0.15 | 17.8 | 10.2 | 5.5 | 15 | 0.8 |
| 0.22 | 17.8 | 11.6 | 6.1 | 15 | 0.8 |
| 0.33 | 17.8 | 13.7 | 6.7 | 15 | 0.8 |
| 0.47 | 17.8 | 14.9 | 7.9 | 15 | 0.8 |
| 0.68 | 17.8 | 17.5 | 8.9 | 15 | 0.8 |
| 1.0 | 17.8 | 20.9 | 10.7 | 15 | 0.8 |
| 1.5 | 17.8 | 23.4 | 13.2 | 15 | 0.8 |
| 0.33 | 25.5 | 12.4 | 5.4 | 22.5 | 0.8 |
| 0.47 | 25.5 | 13.3 | 6.3 | 22.5 | 0.8 |
| 0.68 | 25.5 | 15.5 | 7.0 | 22.5 | 0.8 |
| 1.0 | 25.5 | 18.5 | 8.4 | 22.5 | 0.8 |
| 1.5 | 25.5 | 20.4 | 10.3 | 22.5 | 0.8 |
| 2.2 | 25.5 | 22.6 | 12.5 | 22.5 | 0.8 |

| 630Vdc | | | | | |
|----------|------|------|------|------|-----|
| 容量 μF | W | H | T | P | d |
| 0.010 | 9.8 | 7.6 | 4.1 | 7.5 | 0.6 |
| 0.015 | 9.8 | 7.6 | 4.1 | 7.5 | 0.6 |
| 0.022 | 9.8 | 8.1 | 4.6 | 7.5 | 0.6 |
| 0.033 | 9.8 | 9.2 | 5.1 | 7.5 | 0.6 |
| 0.047 | 9.8 | 10.5 | 5.5 | 7.5 | 0.6 |
| 0.068 | 9.8 | 11.9 | 6.2 | 7.5 | 0.6 |
| 0.10 | 9.8 | 13.1 | 7.7 | 7.5 | 0.6 |
| 0.047 | 12.5 | 9.6 | 4.6 | 10 | 0.6 |
| 0.068 | 12.5 | 10.3 | 5.3 | 10 | 0.6 |
| 0.10 | 12.5 | 11.2 | 6.5 | 10 | 0.6 |
| 0.15 | 12.5 | 13.9 | 6.9 | 10 | 0.6 |
| 0.22 | 12.5 | 15.3 | 8.3 | 10 | 0.6 |
| 0.10 | 17.8 | 10.6 | 5.1 | 15 | 0.8 |
| 0.15 | 17.8 | 12.5 | 5.5 | 15 | 0.8 |
| 0.22 | 17.8 | 13.5 | 6.5 | 15 | 0.8 |
| 0.33 | 17.8 | 14.8 | 7.8 | 15 | 0.8 |
| 0.47 | 17.8 | 16.3 | 9.2 | 15 | 0.8 |
| 0.68 | 17.8 | 19.1 | 10.4 | 15 | 0.8 |
| 1.0 | 17.8 | 22.8 | 12.6 | 15 | 0.8 |
| 1.5 | 17.8 | 25.8 | 15.6 | 15 | 0.8 |
| 0.22 | 25.5 | 11.2 | 5.7 | 22.5 | 0.8 |
| 0.33 | 25.5 | 12.2 | 6.7 | 22.5 | 0.8 |
| 0.47 | 25.5 | 14.3 | 7.3 | 22.5 | 0.8 |
| 0.68 | 25.5 | 15.7 | 8.7 | 22.5 | 0.8 |
| 1.0 | 25.5 | 20.0 | 9.8 | 22.5 | 0.8 |
| 1.5 | 25.5 | 22.2 | 12.1 | 22.5 | 0.8 |
| 2.2 | 25.5 | 24.9 | 14.8 | 22.5 | 0.8 |