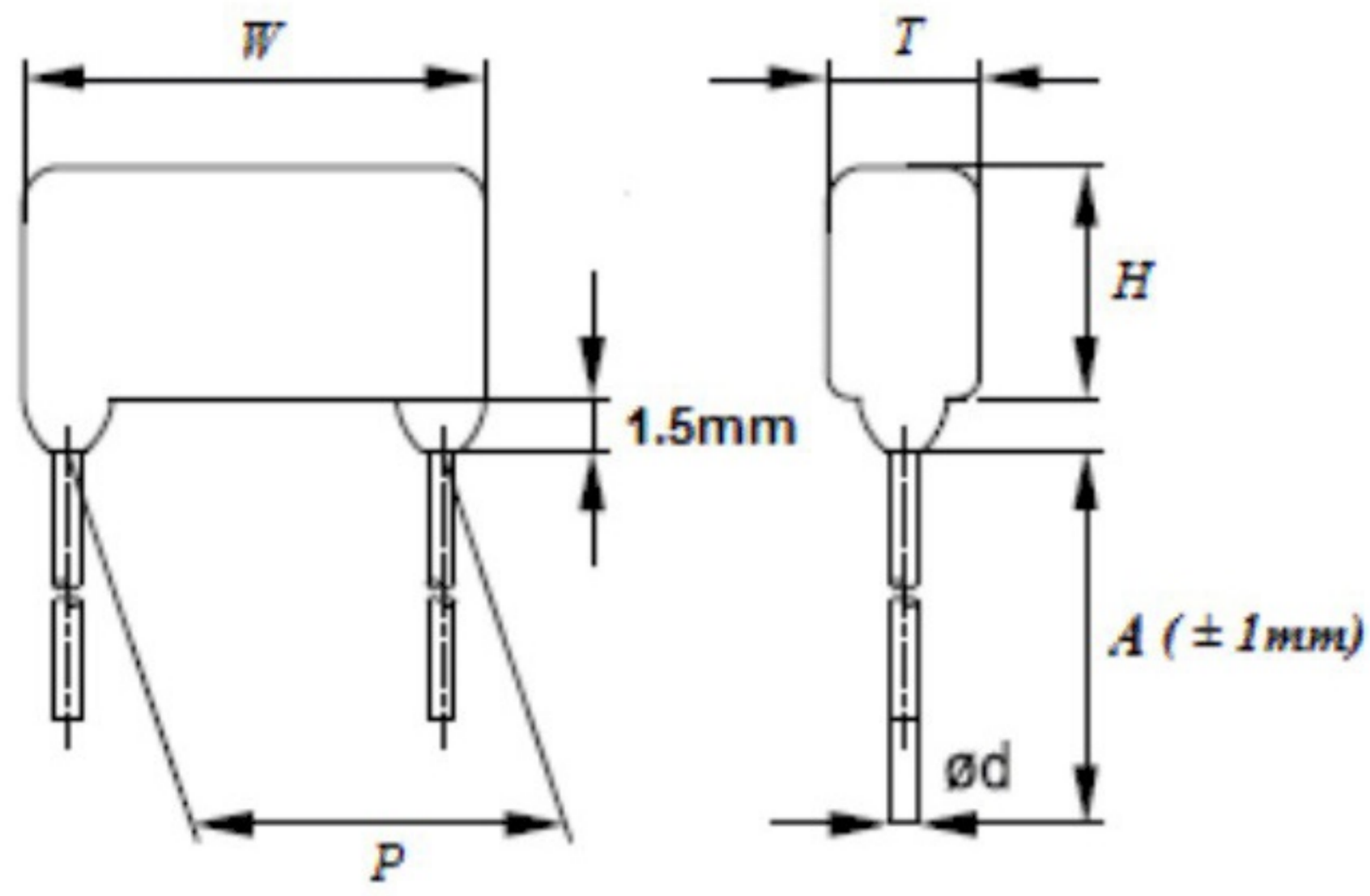


外觀圖 Outling Drawing



主要用途

專門設計用於與100~240Vac電源串聯的電容降壓電路場合，如電表，LED驅動模塊等。

Typical Applications

This is specifically designed for applications in serial with the 100~240Vac main, Capacitive divider, for example, energy meter, LED driver etc.

特點

自愈性能優異，能承受浪涌電壓衝擊  
長期負載下優異的電容量穩定性  
阻燃環氧粉末包封

Features

Good self-healing properties, with standing surge Voltage stressing  
Long stability of capacitance  
Flame resistant epoxy resin powder coating (UL94V-0)

規格書 SPECIFICATION

引用標準 Reference Standard	GB/T 14579 (IEC 60384-17)	
氣候類別 Climatic Category	55/85/21	
工作溫度範圍 Operating Temperature Range	- 40°C~+85°C (+85°C to +105°C: decreasing factor 1.25% per°C for UR)	
電容量範圍 Capacitance Range	0.01uF ~ 4.7uF	
額定電壓 Rated Voltage	230Vac, 250Vac, 300Vac	
電容偏差 Capacitance Tolerance	± 5% (J)、 ± 10% (K)	
承受電壓 Voltage Proof	1.5UR (5s)	
損耗角 Dissipation Factor	≤0.10% (20°C, 1kHz)	
絕緣電阻 Insulation Resistance	UR ≤ 100V	CR ≤ 0.33uF IR ≥ 15,000MΩ CR > 0.33uF IR ≥ 5,000S

外型尺寸表 Dimension(mm)

230Vac					
容量 μF	W	H	T	P	d
0.033	12	9	5	10	0.6
0.047	12	10	5.5	10	0.6
0.068	12	11	6	10	0.6
0.1	12	12	7	10	0.6
0.1	17	10.5	5.5	15	0.8
0.15	17	11	6.5	15	0.8
0.22	17	12	7.5	15	0.8
0.33	17	14.5	9	15	0.8
0.39	17	14.5	9.5	15	0.8
0.47	17	15	10.5	15	0.8
0.22	23	11	6.5	20	0.8
0.33	23	12.5	7.5	20	0.8
0.39	23	13	8	20	0.8
0.47	23	14.5	8	20	0.8
0.56	23	15	9	20	0.8
0.68	23	16	9.5	20	0.8
1.0	23	19	11	20	0.8
0.33	25	13	6.5	22.5	0.8
0.39	25	13.5	7	22.5	0.8
0.47	25	14	7.5	22.5	0.8
0.56	25	15.5	8.5	22.5	0.8
0.68	25	15.5	9	22.5	0.8
1.0	25	18	10.5	22.5	0.8
1.5	25	21.5	12.5	22.5	0.8
1.0	30	17	9	27.5	0.8
1.5	30	20	10.5	27.5	0.8
2.2	30	24.5	11	27.5	0.8
3.3	30	27.5	14.5	27.5	0.8
4.0	30	29	16.5	27.5	0.8
4.7	30	31.5	18	27.5	0.8

250Vac					
容量 μF	W	H	T	P	d
0.068	17	10	5.5	15	0.8
0.1	17	11	6.5	15	0.8
0.15	17	12	7.5	15	0.8
0.22	17	13.5	8.5	15	0.8
0.33	17	15	10.5	15	0.8
0.15	23	11	6.5	20	0.8
0.22	23	12	7.5	20	0.8
0.33	23	14.5	8	20	0.8
0.39	23	15	8	20	0.8
0.47	23	16	9.5	20	0.8
0.56	23	17.5	10.5	20	0.8
0.68	23	19.5	11	20	0.8
0.22	25	13.5	6.5	22.5	0.8
0.33	25	14	7.5	22.5	0.8
0.39	25	15.5	8	22.5	0.8
0.47	25	16	9	22.5	0.8
0.56	25	16	9.5	22.5	0.8
0.68	25	18	10	22.5	0.8
1.0	25	20	12	22.5	0.8
0.47	30	15.5	7.5	27.5	0.8
0.56	30	16	8	27.5	0.8
0.68	30	17.5	9	27.5	0.8
1.0	30	19.5	10.5	27.5	0.8
1.5	30	24	11.5	27.5	0.8
2.0	30	26	13.5	27.5	0.8
2.2	30	27.5	14	27.5	0.8
3	30	29.5	16.5	27.5	0.8
3.3	30	30	17.5	27.5	0.8
4.0	30	32	19.5	27.5	0.8

外型尺寸表 Dimension(mm)

300Vac					
容量 μF	W	H	T	P	d
0.1	17	14.5	9	15	0.8
0.15	17	15.5	10.5	15	0.8
0.22	17	18.5	12	15	0.8
0.1	23	12	7.5	20	0.8
0.15	23	14.5	9	20	0.8
0.22	23	16	10	20	0.8
0.33	23	18	12	20	0.8
0.1	25	12	7	22.5	0.8
0.15	25	13	8.5	22.5	0.8
0.22	25	16.5	9	22.5	0.8
0.33	25	17.5	11	22.5	0.8
0.39	25	19	11.5	22.5	0.8

300Vac					
容量 μF	W	H	T	P	d
0.47	25	20.5	12.5	22.5	0.8
0.22	28	15	8.5	25	0.8
0.27	28	16	9.5	25	0.8
0.33	28	17.5	10.5	25	0.8
0.39	28	18.5	11	25	0.8
0.47	28	20.5	11.5	25	0.8
0.56	28	21.5	12.5	25	0.8
0.68	28	22	14	25	0.8
0.82	28	24	14.5	25	0.8
1.0	28	26	16.5	25	0.8